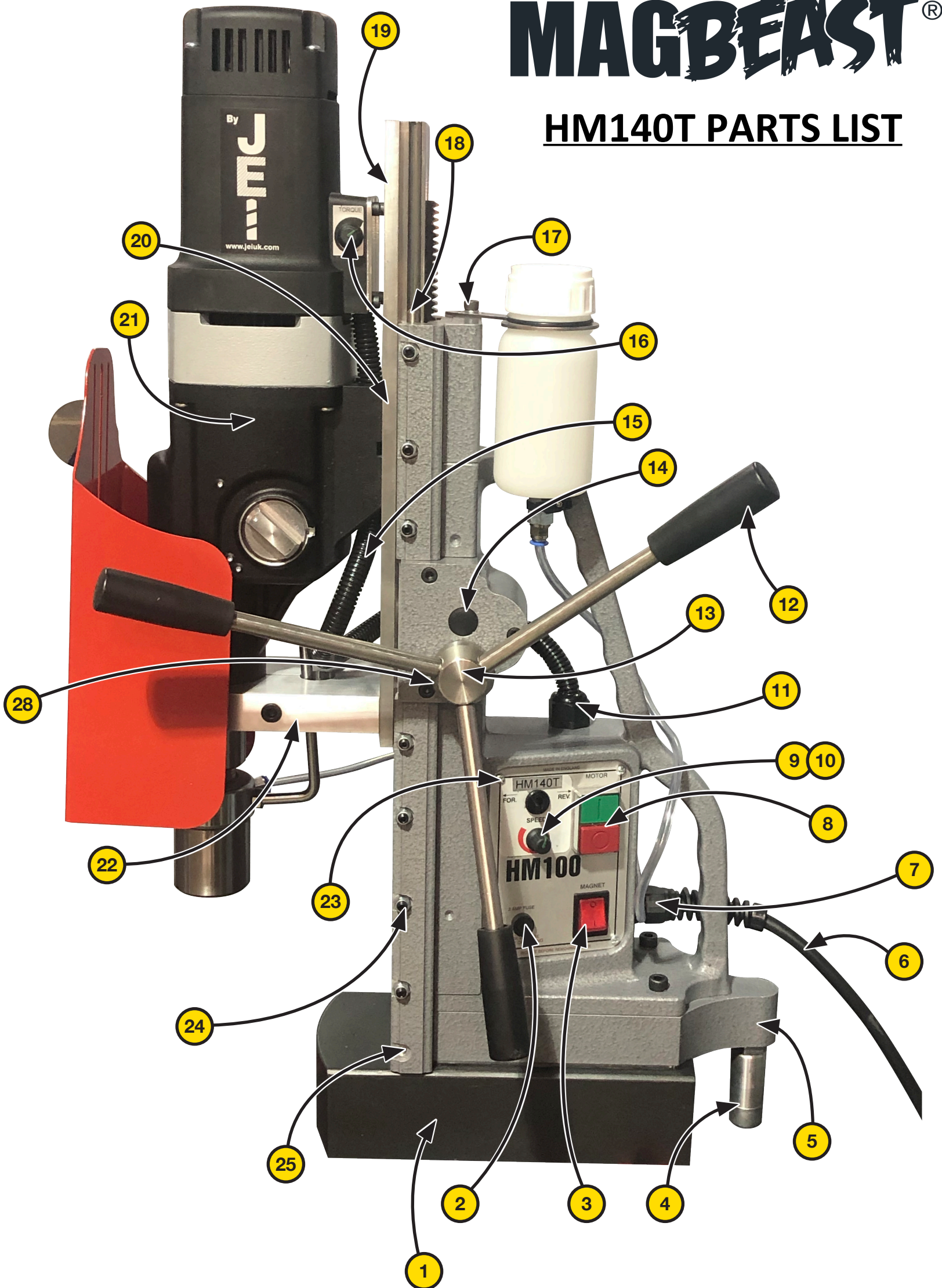


# MAGBEAST®

## HM140T PARTS LIST

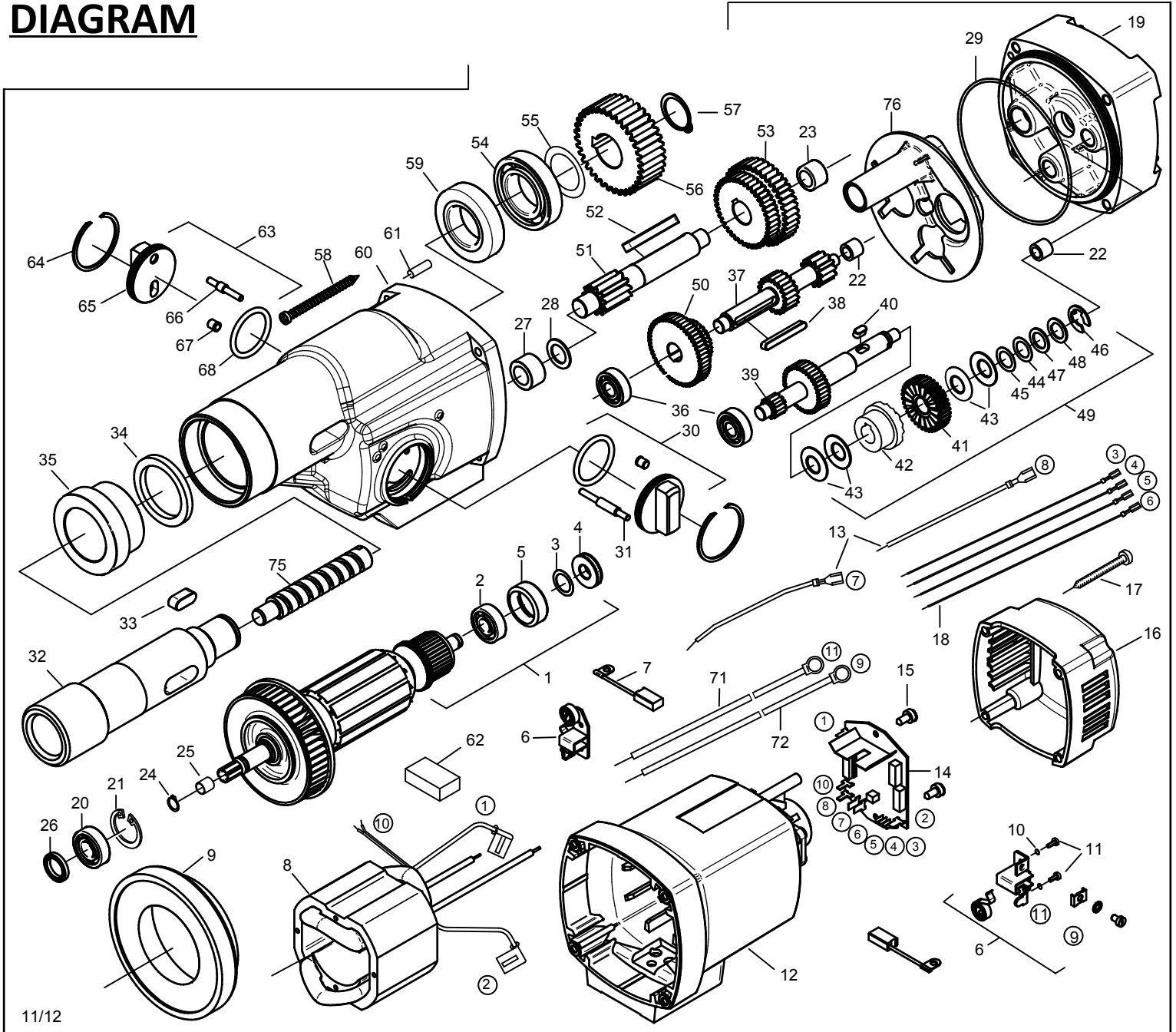


# HM140T PARTS LIST

- 1) MAGNET BASE
- 2) FUSE HOLDER
- 3) MAGNET SWITCH
- 4) STABILISER
- 5) MAIN BODY CASTING
- 6) MAIN POWER CABLE
- 7) CABLE GLAND
- 8) MOTOR STOP/START SWITCH
- 9) SPEED CONTROL
- 10) FORWARD/REVERSE
- 11) MOTOR CABLE GLAND
- 12) HANDLE WITH KNOB
- 13) PINION
- 14) PINION GEAR COVER
- 15) MOTOR CABLE
- 16) TORQUE CONTROL
- 17) COOLANT BOTTLE FIXING
- 18) SLIDE RAIL
- 19) RACK
- 20) SLIDE
- 21) MOTOR COMPLETE
- 22) GEAR BOX BRACKET
- 23) PANEL SCREWS
- 24) RAIL ADJUSTMENT SCREWS
- 25) RAIL FIXING SCREWS
- 26) PCB CONTROL
- 27) WARNING PLATE
- 28) PINION BUSH

# MAGBEAST®

## HM140T MOTOR PARTS DIAGRAM



## HM140T Motor Parts - 230 V

No.	Description	Order No.		No.	Description	Order No.		
1	rotor complete	74643100		39	intermediate shaft 1	74641490		
2	grooved ball bearing 6000 2Z	80410021		40	fitting key 5x5x10	80200600		
3	seal ring	83000507		41	clutch wheel	74326550		
4	magnetic disc	7633J325		42	coupling half	71540560		
5	bearing cap	83000031		43	spring washer 28x12,1x1	80200713		
6	brush holder	80201199		44	fitting washer 12/18x0,2	80200502		
7	carbon brush 6,3x16x20L85F10	80700021		45	pressure washer	71540607		
8	stator complete	74564150		46	lock washer 9	80201361		
9	air guiding ring	73511141		47	fitting washer 12/18x0,5	80200503		
10	lock washer B4	80201385		48	pressure washer	71540606		
11	self tapping screw CM4x12	80201180		49	clutch complete	74643493		
12	motor housing black	7455K201		50	gear block 1	74641440		
13	interconnecting wire	80600483		51	intermediate shaft 3	74641510		
14	PCB / circuit board	74326280		52	fitting key 6x6x50	80200610		
15	self tapping screw HC 4,2x9,5	80201269		53	gear block 2	74641450		
16	cap	80900082		54	grooved ball bearing 6006 2RS	80410071		
17	self tapping screw HC 4,8x45	80201267		55	fitting washer 25x0,1	80200512		
18	control wire	80600486		56	spindle wheel	74641430		
19	end shield of gearing	74645610		57	locking ring 25/1,2	80201327		
20	grooved ball bearing 6201 LUZ	80410101		58	self tapping screw HC 5,5x80	80201227		
21	locking ring 32x1,2	80201351		59	shaft seal ring 38x48x6	83000208		
22	needle sleeve HK 0810	80420110		60	gearbox housing	74645400		
23	needle sleeve HK 1212	80420130		61	notched pin plug 5x16	80200580		
24	locking ring 12/1	80201321		62	foam filler	80600306		
25	bearing ring 12x15x12,5	80420160		63	switch button short	71641535		
26	shaft seal ring 15x21x3 KEIV	83000042		64	circlip SB42	80201355		
27	needle bearing RNA 4900	80420001		65	switch button	71641540		
28	disc	71540517		66	switch-actuating wheel short	71641532		
29	o-ring 106x2	83000092		67	spring loaded thrust pad	85000157		
30	switch button long	71641545		68	o-ring 36x1,5 NBR	83000022		
31	switch-actuating wheel long	71641542		69				
32	work spindle	74641420		70				
33	fitting key B6x6x20	80200606		71	brush holder wire	80600484		
34	felt ring	83000506		72	brush holder wire	80600485		
35	axial needle bearing NAXK 40	80420040		73				
36	grooved ball bearing 6000	80410020		74				
37	intermediate shaft 2	74641500		75	spindle	74641425		
38	fitting key 5x5x40	80200612		76	gearbox compartment	74641625		

## HM140T Motor Parts - 110 V

1	rotor complete	74644100		8	stator complete	74563150		
7	carbon brush 6,3x16x20L41F13	80700040		14	PCB / circuit board	74329280		